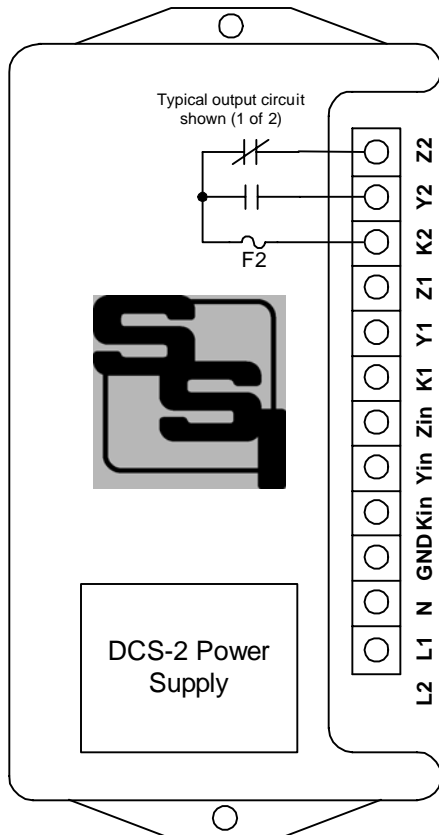


INSTRUCTION SHEET

DCS-2 POWER SUPPLY

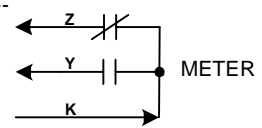


- Z2 →
- Y2 → **OUTPUT #2**
- K2 ←

- Z1 →
- Y1 → **OUTPUT #1**
- K1 ←

- Z ←
- Y ← **INPUT FROM METER**
- K → +12VDC sourced to meter

- GND ←
- DC- ← **+15 TO +48VDC**
- DC+ ← **POWER SUPPLY**
- N/C ← **INPUT**



SUMMARY - This addendum accompanies any SSI Pulse Isolation Relay that is equipped with the DCS-2 Power Supply option. This option allows you to power your relay from a +DC voltage source over a range of +15 to +48VDC.

POWER INPUT - Connect the positive lead (+) of the DC supply to the L1 terminal, up to +48VDC. Connect the negative (-) lead to the N terminal. Connect the GND terminal to electrical system ground. If the negative of the power supply is the same as the electrical system ground, terminals N and GND can be tied together and be tied to ground.

METER CONNECTIONS - See your Pulse Isolation Relay's installation instruction sheet for the specific features and instructions for your relay.



SOLID STATE INSTRUMENTS

a division of Brayden Automation Corp.
 6230 Aviation Circle, Loveland, Colorado 80538
 Phone: (970)461-9600 Fax: (970)461-9605
 E-mail: support@solidstateinstruments.com