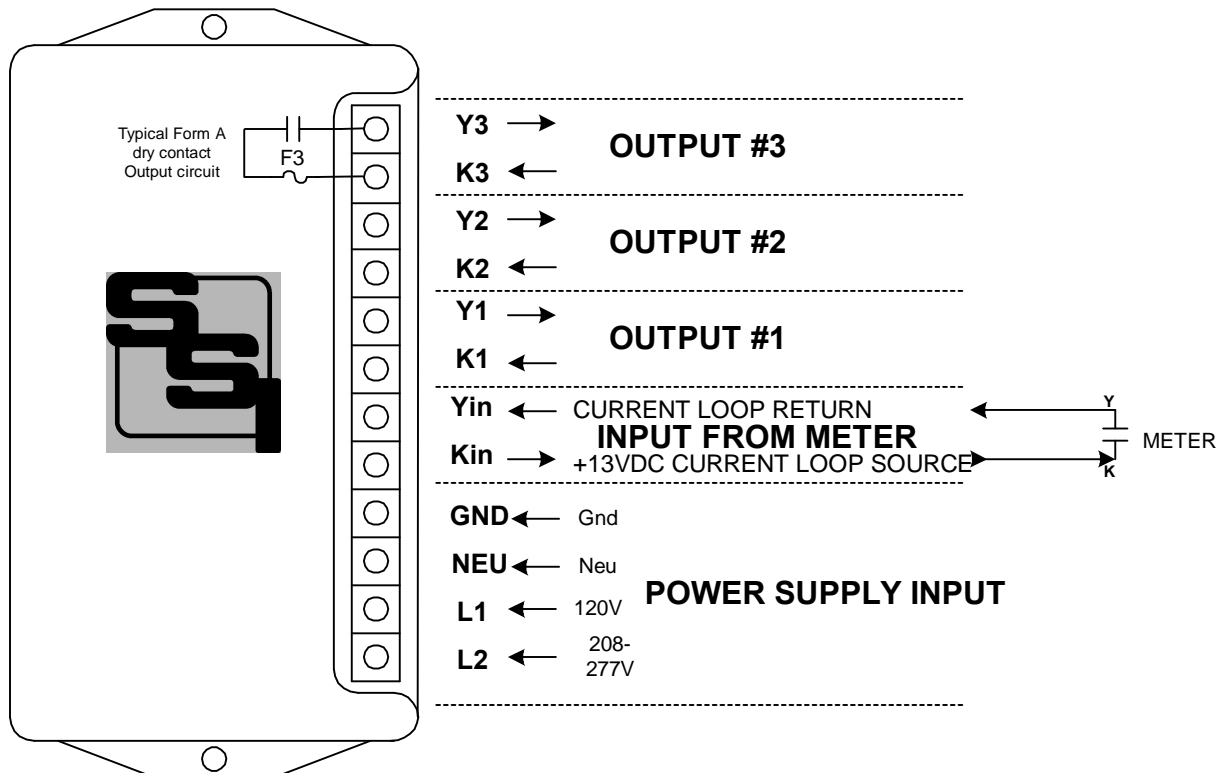


PTR-2PS

Elite Solid State

PULSE TRANSCIEIVING RELAY INSTRUCTION SHEET



MOUNTING POSITION - The PTR-2PS may be mounted in any position.

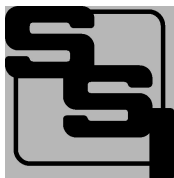
POWER INPUT - For a 120VAC power supply, connect the "hot" lead(phase voltage) to the **L1** terminal. For a 208 to 277VAC power supply, connect the "hot" lead to the **L2** terminal. Connect the Neutral power supply lead to the **NEU** terminal. Connect the electrical system ground to the **GND** terminal. No power source is required at the meter, only a switch closure.

PULSE INPUT - The PTR-2PS contains a current loop input designed for reliably receiving pulses from a meter's pulse output that is located a long distance away. The PTR-2PS' current loop circuitry will overcome the resistance of long runs of wire.

METER CONNECTIONS - The PTR-2PS' **Kin** and **Yin** input terminals are connected to the meter's K & Y terminals: Kin to K and Yin to Y. The PTR-2PS' **Kin** terminal provides a current loop sourced voltage of up to +13VDC to the meter's Y terminal. The **Yin** terminal is the current loop return. Up to 5000' of wire may be inserted into the meter input circuit: 2500 feet out and 2500 feet return. Distance is proportional to wire size.

OUTPUTS - Three Form A (2-Wire) outputs are provided. Arc suppression for the contacts of the solid state relay is provided internally. Outputs are rated at a maximum power of 100VA; maximum voltage of 250V and maximum current of 500mA.

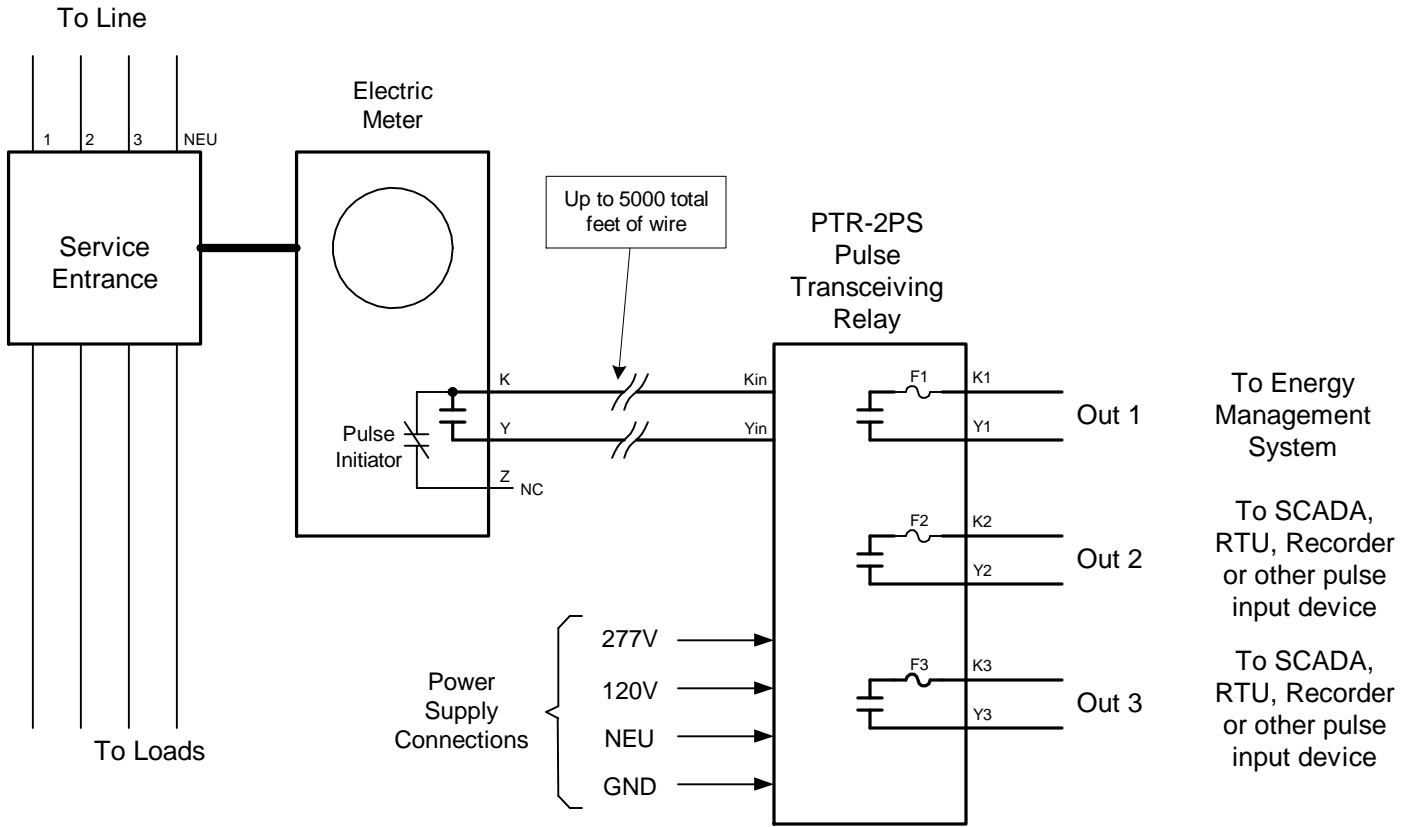
FUSES - The fuses are type 3AG (also AGC) and may be up to 1/2 Amp in size. A 1/2 Amp fuse is supplied standard with the unit unless otherwise specified.



SOLID STATE INSTRUMENTS

a division of Brayden Automation Corp.
6230 Aviation Circle, Loveland Colorado 80538
Phone: (970)461-9600
E-mail: support@brayden.com

PTR-2PS Wiring Diagram



| | | | |
|---|---------|-----------|-------|
| PTR-2PS Pulse Transceiving Relay Wiring Diagram | | REVISIONS | |
| | | NO. | DATE |
| DATE ORIGINAL | SCALE | | |
| 02/28/2021 | N/A | | |
| LATEST REVISION | JOB NO. | CHECKED | DRAWN |
| | | | WHB |

Brayden Automation Corp./ Solid State Instruments div.
 6230 Aviation Circle
 Loveland, CO 80538
 (970)461-9600
 support@brayden.com
 www.solidstateinstruments.com