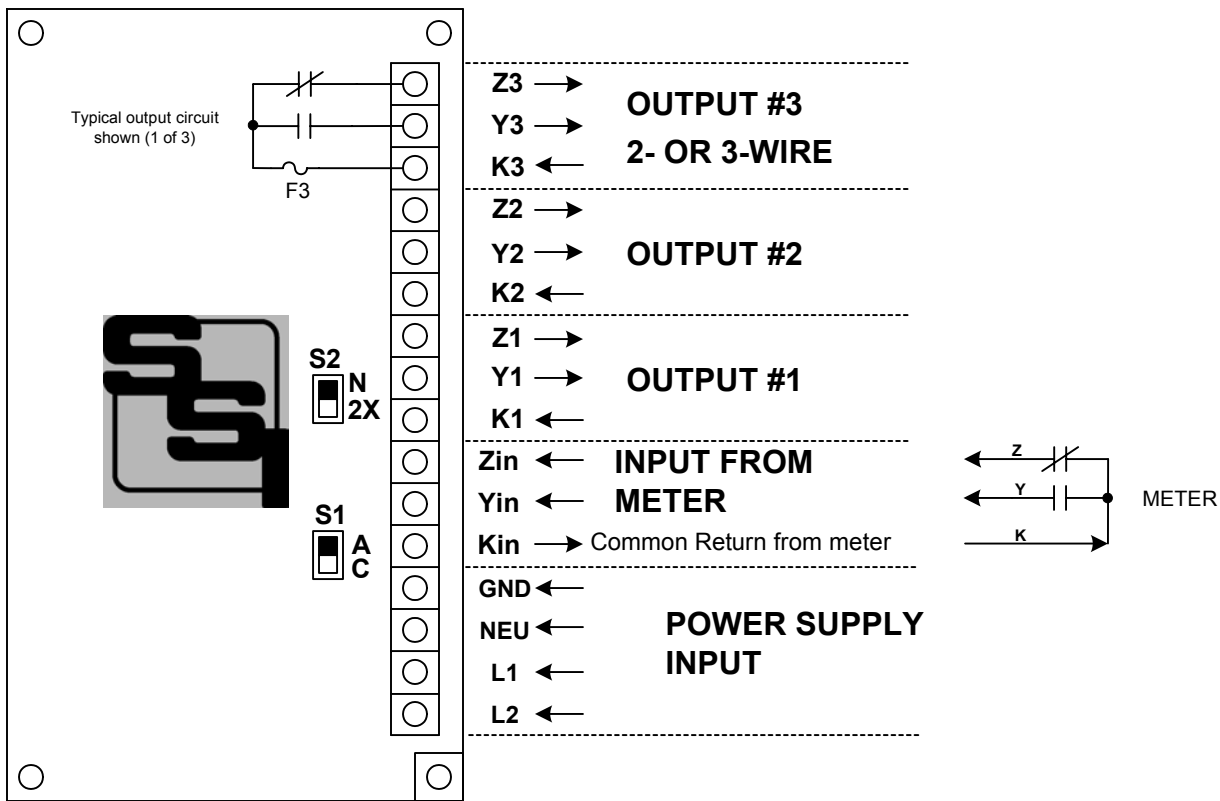


# RPR-903PS

*Elite Solid State*

# PULSE ISOLATION RELAY INSTRUCTION SHEET



**MOUNTING POSITION** - The RPR-903PS may be mounted in any position.

**POWER INPUT** - For a power supply voltage of between 80 and 140 VAC, connecting the hot lead to the L1 terminal and the neutral lead to the NEU terminal. For a power supply voltage of 208 to 277VAC, connect the hot lead to the L2 terminal and the neutral lead to the NEU terminal. Connect the GND lead to the electrical system ground.

**METER CONNECTIONS** - The RPR-903PS's Kin, Yin and Zin input terminals should be connected to the meter's K, Y and Z terminals: Kin to K, Yin to Y, and Zin to Z. The RPR-903PS's Kin terminal provides the common system return (ground) to the meter's "K" terminal. The Yin and Zin terminals are "pulled up" to the +13VDC wetting voltage. For 2-wire metering system, connect only the Kin and Yin terminals to the meter. Set S1 to A (up) if using a 2-Wire input or to C (down) for a 3-Wire input.

**FUSES** - The fuses are type 3AG and may be up to 1/2 Amp in size. Three 1/2 Amp fuses (F1, F2 and F3) are supplied standard with the unit unless otherwise specified. Fuses are rated for 250VAC/VDC max.

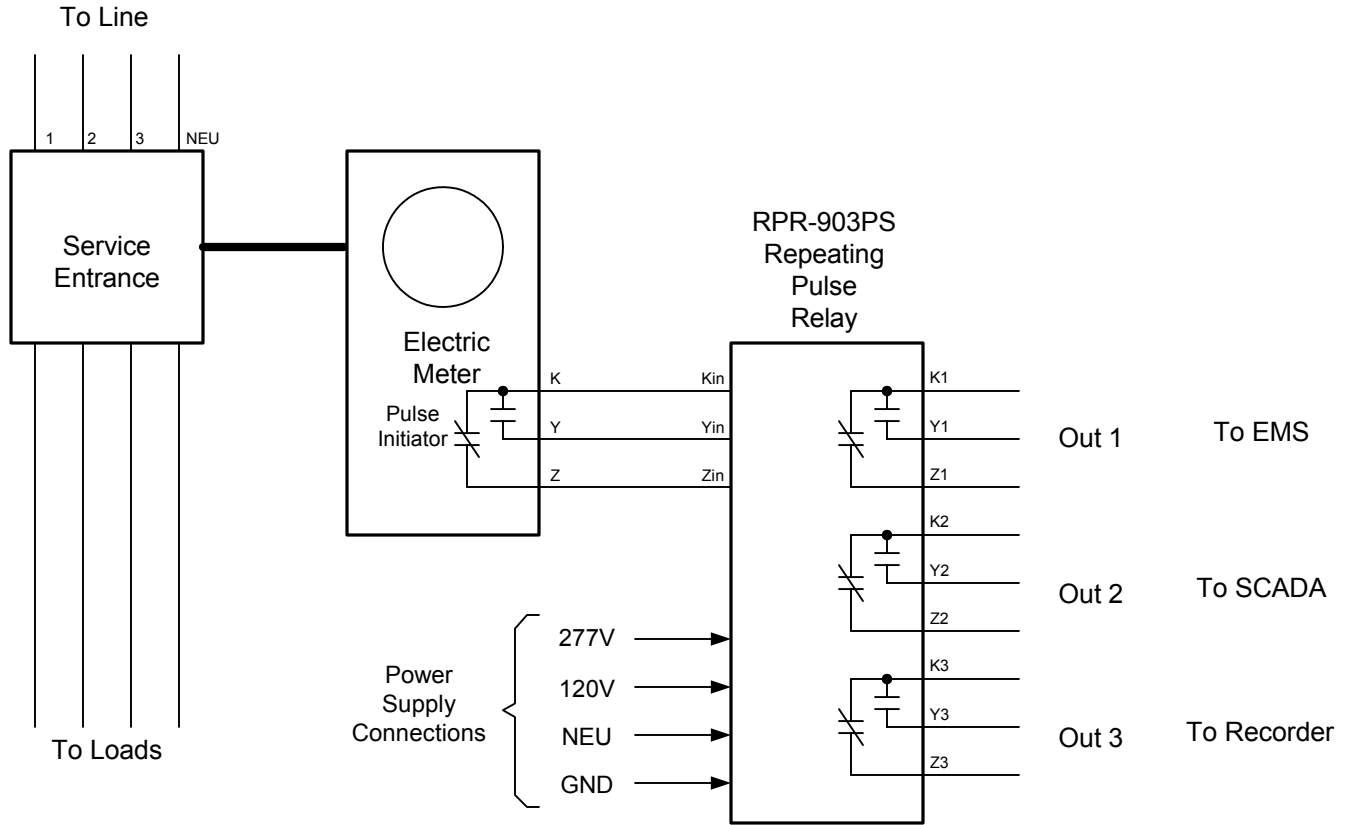
**OUTPUTS** - Outputs 1 & 2 are fixed 3-wire outputs. Output #3 may be operated as either a 2-wire (Form A) or 3-wire (Form C) output. For 3-wire("NORMAL") operation, set switch S2 to the N (up) position. For the 2-wire output mode, set S2 to the 2X (down) position and use the "K3" & "Y3" terminals. In the 2-wire mode("Pulse Doubling"), a 100mS fixed-width output pulse occurs for each change of input state. Arc suppression for the contacts of each solid-state relay is provided internally. The RPR-903PS's outputs are rated at 1/ amps at 250VAC/VDC.



## SOLID STATE INSTRUMENTS

a division of Brayden Automation Corp.  
6230 Aviation Circle, Loveland Colorado 80538  
Phone: (970)461-9600 Fax: (970)461-9605  
E-mail: support@solidstateinstruments.com

# RPR-903PS Wiring Diagram



RPR-903PS Repeating Pulse Relay Wiring Diagram		REVISIONS	
		NO.	DATE
DATE ORIGINAL		SCALE	
10/01/08		N/A	
LATEST REVISION		DRAWN	
		WHB	

**Brayden Automation Corp./**  
**Solid State Instruments div.**  
 6230 Aviation Circle  
 Loveland, CO 80538  
 (970)461-9600  
 (970)461-9205 fax  
[www.solidstateinstruments.com](http://www.solidstateinstruments.com)