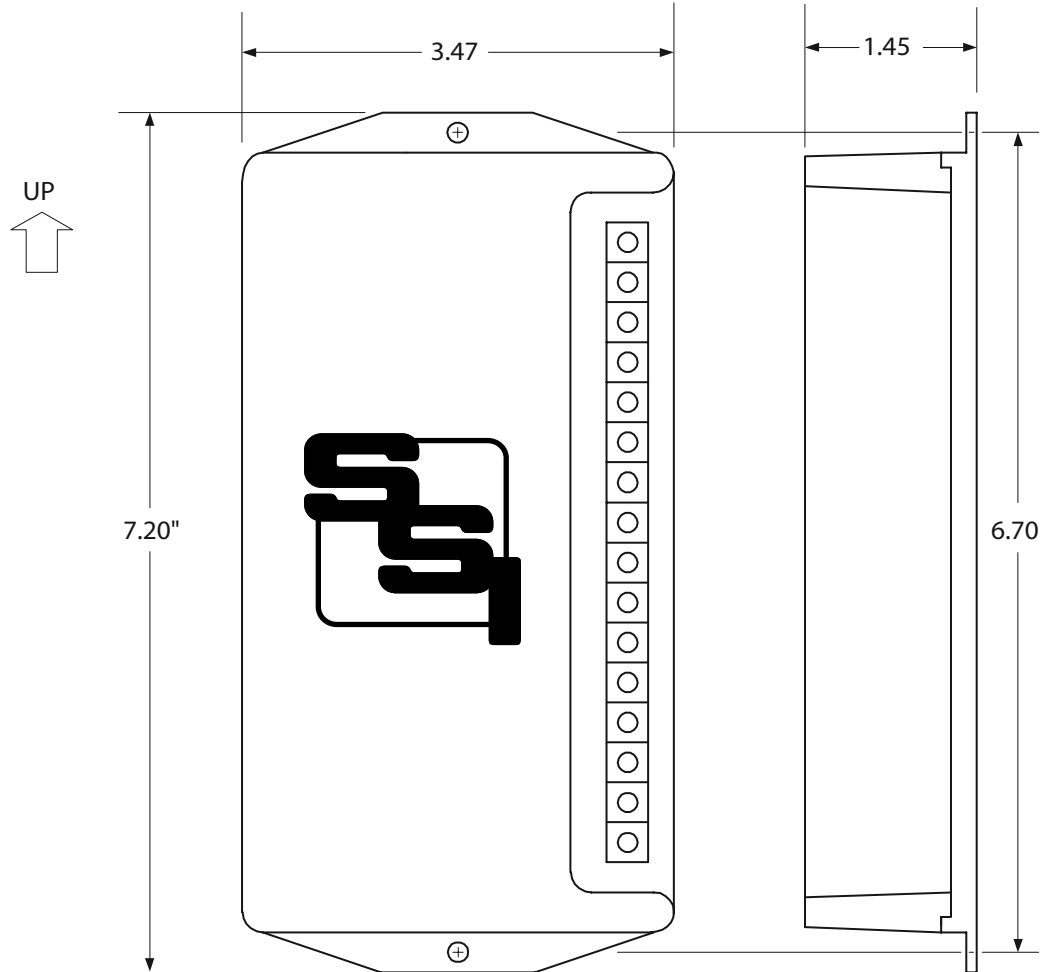


# SSI Standard Large & Small Cases

SSI Standard Large Case



SSI Standard Small Case

