



SPECIALTY DEVICES

APU-1B/1C AUXILIARY SWITCHOVER DEVICE

DESCRIPTION

The APU-1 Series are auxiliary power switchover devices designed for instrument metering applications. In the event of power loss to the meter from the primary source, the APU-1 automatically switches the meter potential to the auxiliary source. By using this approach, loss of revenue is avoided.

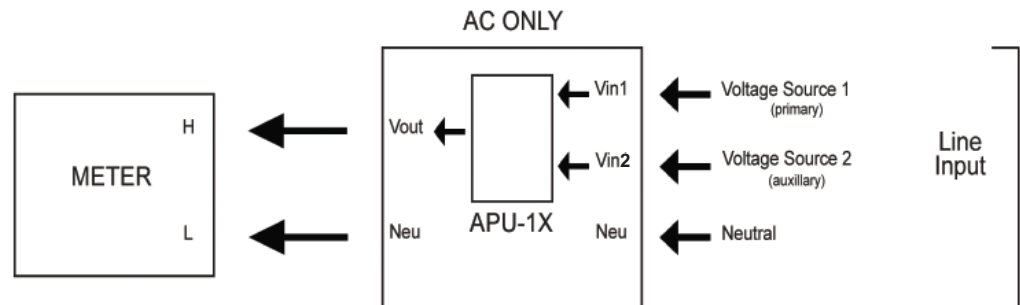


The APU-1B is for 120 VAC applications, while the APU-1C is for 208-277 VAC applications. The application for the APU-1x is metering configurations where dual service is provided to the customer, but meter potentials are only on one service. To insure that the meter is always energized and measuring energy use, the APU-1x switches from the primary source to the auxiliary source if the primary source is lost.

When power to the meter is interrupted, the alternate contacts close and the meter remains powered. The same phase of each service should be used to insure that there is no potential difference between the phases if they are both powered. Housed in a polycarbonate case for maximum electrical protection, the APU-1x is normally mounted inside another enclosure, suitable for the user's intended application.

A green LED indicates voltage available from the primary source. A red LED indicates that voltage from the primary source has been interrupted and the output is being powered from the secondary source.

APU-1





SPECIALTY DEVICES

APU-1B/1C AUXILIARY SWITCHOVER DEVICE

SPECIFICATIONS

ELECTRICAL

Power Input:	APU-1B – 120 VAC APU-1C – 277 VAC
Output Voltage:	APU-1B – 120 VAC APU-1C – 277 VAC
Output Current:	2 <u>Amp</u> Max
Fuse:	1/2 Amp Nominal, 2 Amp Max.

MECHANICAL

Mounting:	Any position
Size:	3.27" wide, 5.7" high, 1.50" deep
Weight:	6 ounces

TEMPERATURE

Temperature Range:	-40° C to +85° C; -40° F to +185° F
Humidity:	0 to 98% non-condensing

OPTIONS

Input Voltages:	Contact Factory
-----------------	-----------------

APU-1