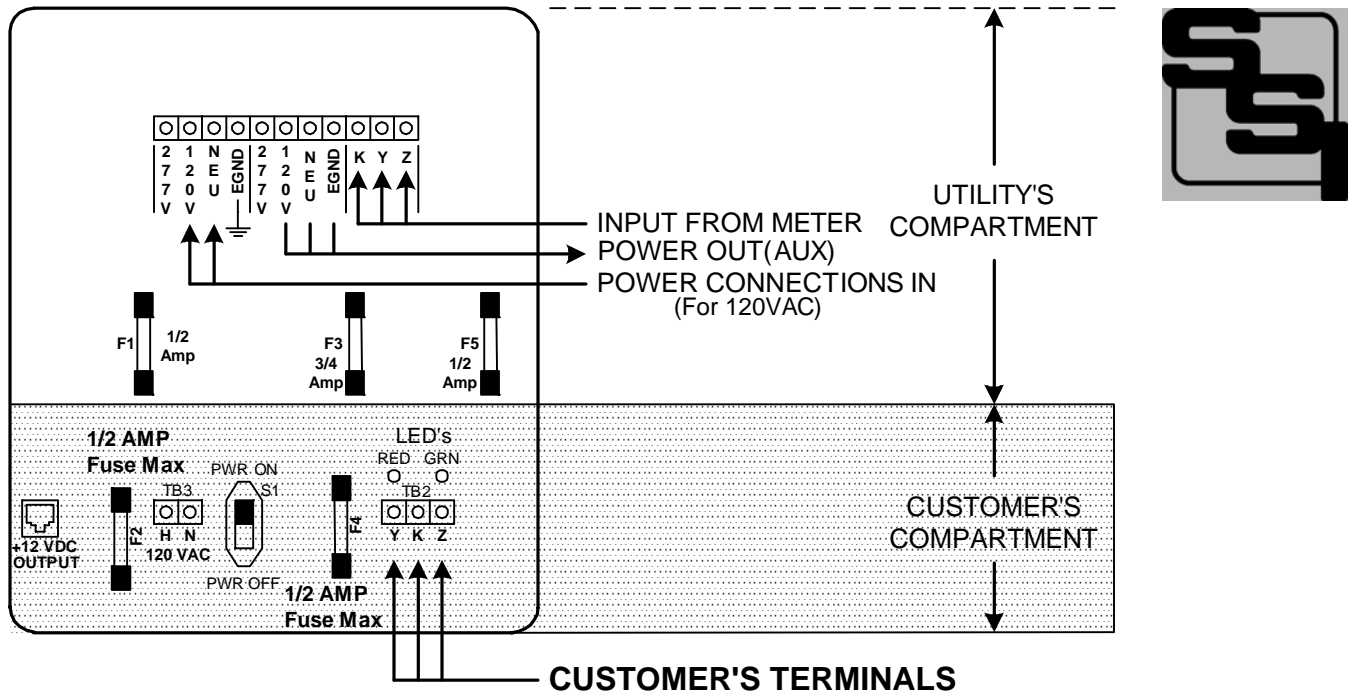


LMR-111PS LOAD MANAGEMENT RELAY INSTRUCTION SHEET

Elite Solid State



MOUNTING POSITION - The LMR-111PS may be mounted in any position.

POWER INPUT - For a 120VAC, use the **120V** terminal for the "hot" lead and the **NEU** terminal for the neutral power supply lead. For 208 to 277VAC, use the **277V** terminal for the "hot" lead and the **NEU** terminal for the neutral power supply lead. The **EGND** terminal **MUST** be connected to the power system ground.

METER CONNECTIONS - Connect the K, Y, & Z leads from the meter to the **K, Y, & Z** terminals on the terminal strip in the utility's compartment: K to K; Y to Y; Z to Z. The LMR-111PS's "K" terminal provides the +13VDC wetting (sense) voltage to the meters' "K" terminals. The LMR-111PS must use a 3-Wire meter interface.

CUSTOMER OUTPUTS - The customer's KYZ pulse output is located at the bottom of the board in the customer compartment. Each K-to-Y input will cause a K-to-Y output. A K-to-Z input will result in a K-to-Z output. Arc and transient suppression for the contacts of the solid-state relays is provided internally. The LMR-111PS also contains convenient termination points for powering other pieces of equipment. A fused and switchable 120VAC output is provided in the customer compartment. Switch S1 turns on and off the Auxiliary 120VAC output (TB3) located just to its left. When Switch S1 is UP, the 120V output is on and available on TB3. When the switch is DOWN, power to TB3 is off. **WARNING:** Turn switch S1 off to replace Fuse F2. An optional +12VDC output is also available in the customer compartment for direct powering of low-power +12VDC equipment. Contact factory for details.

FUSES - Fuse F3 in the utility's compartment is coordinated with the customer's fuse F4. Use a maximum of 3/4 Amp for F3 and 1/2 Amp for F4. F2 is the 1/2 Amp(max.) power supply fuse for the 120VAC auxiliary power supply output.



SOLID STATE INSTRUMENTS

a division of Brayden Automation Corp.
 6230 Aviation Circle, Loveland Colorado 80538
 Phone: (970)461-9600 Fax: (970)461-9605
 E-mail: support@solidstateinstruments.com