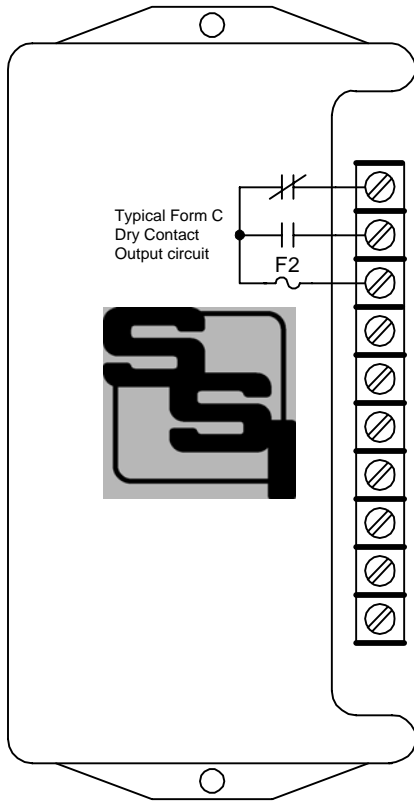


# RPR-2LS

*Elite Solid State*

# PULSE ISOLATION RELAY INSTRUCTION SHEET

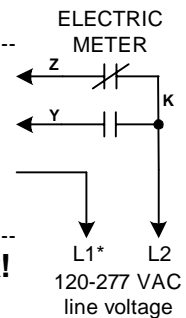


Z2 →  
Y2 → **OUTPUT #2**  
K2 ←

Z1 →  
Y1 → **OUTPUT #1**  
K1 ←

Zin →  
Yin → **INPUT**  
Kin ←  
GND ←

**CAUTION - Risk of electric shock!**  
All circuitry on the input side of the RPR-2LS is at line voltage potential.



\*Must be neutral, if used

**MOUNTING POSITION** - The RPR-2LS can be mounted in any position.

**INPUT** - The RPR-2LS is powered by an AC line voltage of between 90 and 300 volts. Connect the L1 voltage of the AC line to the RPR-2LS' (relay) **Kin** terminal. Connect the L2 voltage of the AC line to the K terminal on the pulse initiator of the meter. If Neutral is used, it must be connected to the Kin terminal. The RPR-2LS will not operate without all three wires between it, the power supply and the meter as shown on Page 2. Connect the RPR-2LS' **GND** terminal to the electrical system ground. The RPR-2LS' power supply is auto-ranging and does not require any configuration for any voltage in the operating range. No other power supply is required to use the RPR-2LS relay. The meter's KYZ pulse initiator must be rated for the line voltage used.

**FUSES** - The fuses are type 3AG and may be up to 1/2 Amp in size. Two 1/2 Amp fuses (F1 & F2) are supplied standard with the unit unless otherwise specified.

**OUTPUTS** - Two 3-wire isolated outputs are provided on the RPR-2LS, with output terminals K1, Y1 & Z1, and K2, Y2, & Z2. Typical output circuit shown above. Arc suppression for the contacts of the solid-state relays is provided internally.



## SOLID STATE INSTRUMENTS

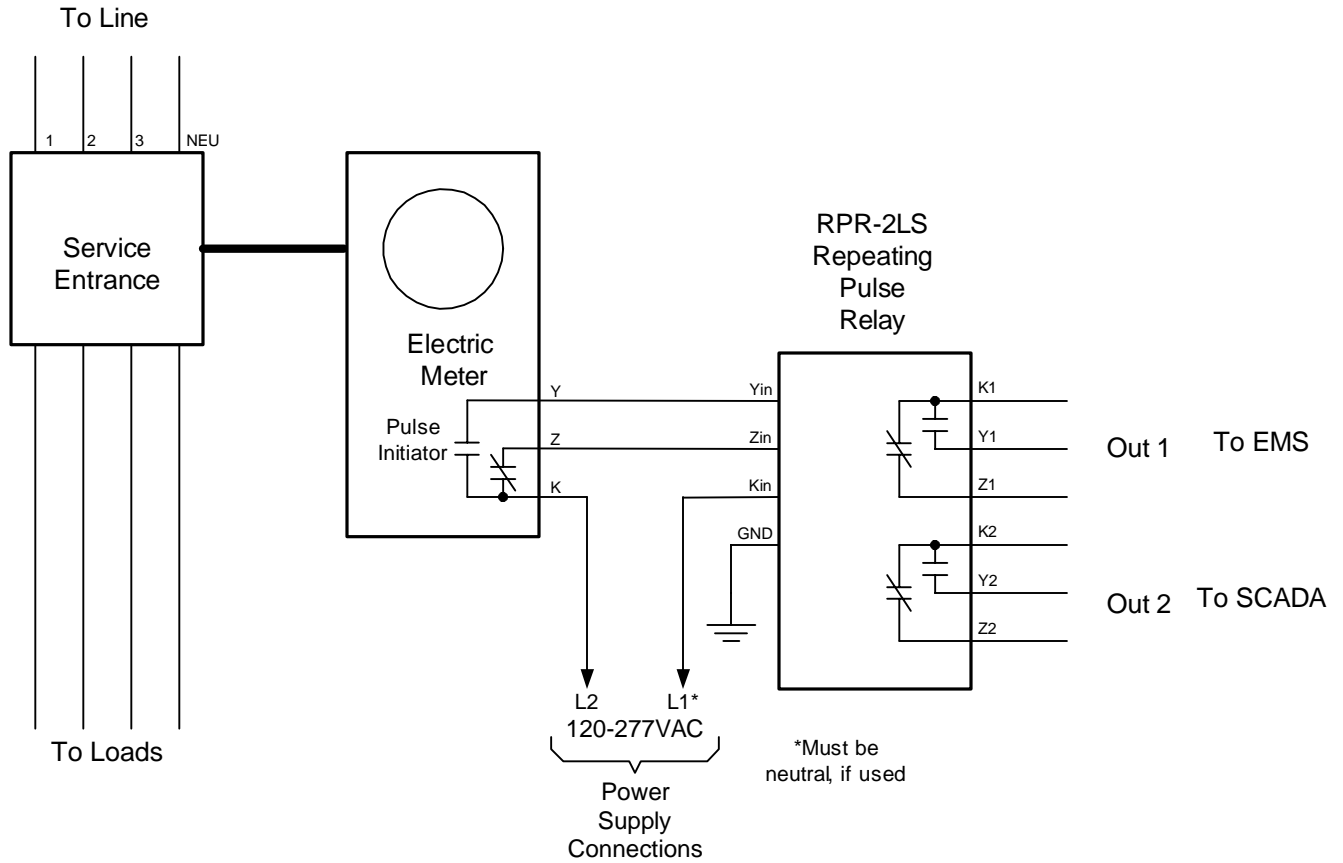
a division of Brayden Automation Corp.

6230 Aviation Circle, Loveland, Colorado 80538

Phone: (970)461-9600 Fax: (970)461-9605

E-mail: support@solidstateinstruments.com

# RPR-2LS Wiring Diagram



RPR-2LS Repeating Pulse Relay Wiring Diagram		REVISIONS	
		NO.	DATE
DATE ORIGINAL	SCALE		
07/27/10	N/A		
LATEST REVISION	JOB NO.	CHECKED	DRAWN
			WHB

**Brayden Automation Corp./  
Solid State Instruments div.**  
6230 Aviation Circle  
Loveland, CO 80538  
(970)461-9600  
(970)461-9205 fax  
www.solidstateinstruments.com