

OPR-1

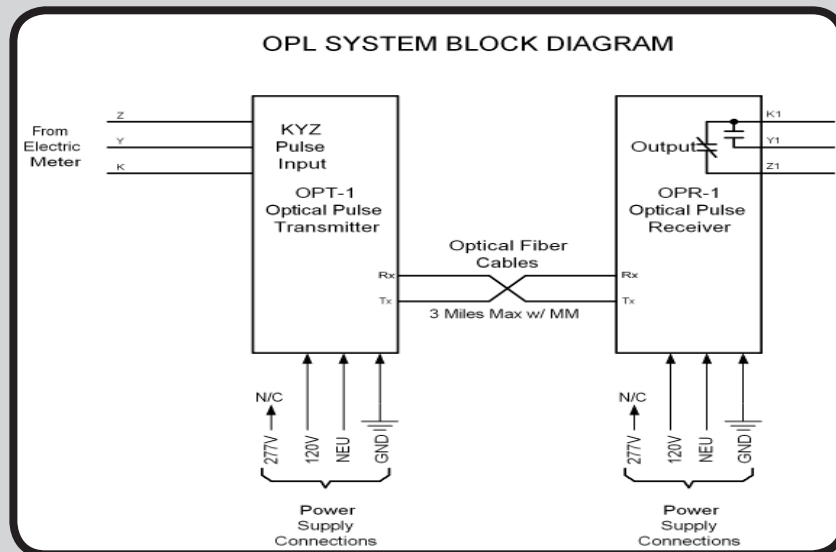
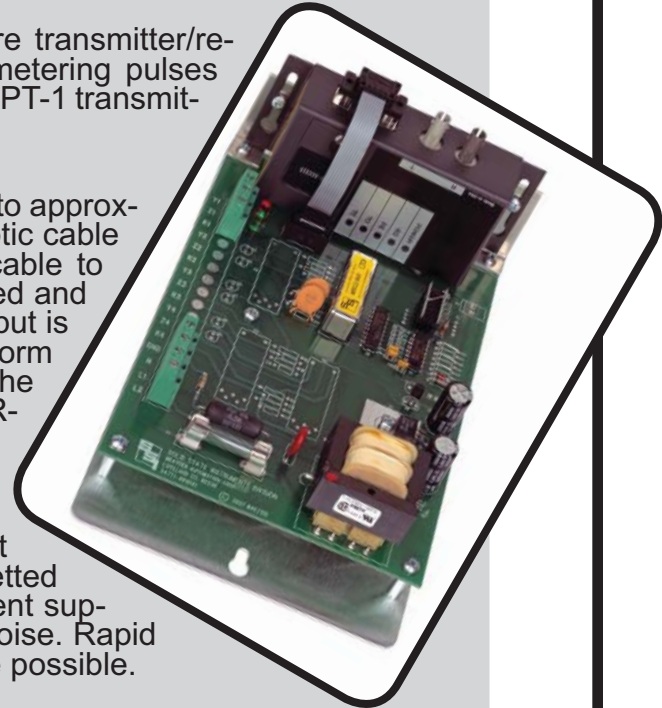
OPTICAL PULSE RECEIVER

The OPL-1 Optical Fiber Pulse Link Systems are transmitter/receiver pairs that use fiber optic cable to send metering pulses over long distances. Each system consists of an OPT-1 transmitter and an OPR-1 receiver.

The OPR-1 can receive pulses over distances up to approximately 3 miles, depending on the type of fiber optic cable used. Pulses are conditioned and sent by the cable to the OPR-1 where the pulse information is validated and implemented into the correct pulse state. The output is configured as a Form C, but can be used as a Form A (2-wire) or a Form C (3-wire) depending on the transmitter's input configuration selection. An OPR-1 receiver requires an OPT-1 transmitter.

Bright red and green LEDs are included on the OPR-1 to monitor the output status. The dry contact output features a heavy-duty 2 AMP mercury-wetted relay for a no-bounce contact with internal transient suppression circuitry to eliminate contact wear and noise. Rapid pulse rates in excess of 20 pulses per second are possible.

The OPR-1 is available standard on a .062" aluminum mounting plate with keyhole slots for quick mounting. Weighing in at 2.0 pounds, the OPR-1 measures 5.50" wide, 9.50" long, and 3.50" high. The optional NEMA 4X raintight and dust-proof enclosure is also available. The enclosure is 12.0" high, 10.0" wide, and 6.0" deep.



SOLID STATE INSTRUMENTS

a division of Brayden Automation Corp.

6230 Aviation Circle, Loveland, Colorado 80538

Phone: (970) 461-9600 Fax: (970) 461-9605 E-mail: sales@solidstateinstruments.com

OPR-1 SPECIFICATIONS

ELECTRICAL

Power Input: 120, 208-277 VAC Burden: 5 VA

Input: Optical Fiber Input from OPT Transmitter

Outputs: One Form C (K,Y, & Z) mercury-wetted, dry contact output

Maximum Output Voltage: 250 VAC

Maximum Output Current: 2 AMP

Maximum Power Rating: 100 VA

Contact Resistance: 50 milliohms typical

Switching Time: 2-3 milliseconds typical

Input to Output Isolation: 1500V

MECHANICAL

Mounting: Vertical +/- 30 degrees. Mounted on aluminum base plate with mounting tabs and keyhole slots

Size: 5.50" wide, 9.50" long, 3.50" high

Weight: 2.0 pounds

TEMPERATURE

Temperature Range: -38° C to +70° C, -36.4° F to +158° F

Humidity: 0 to 98% non-condensing

OPTIONS

Input Voltages: Contact Factory

Enclosure: NEMA 4X raintight and dustproof enclosure available. 12.0" high, 10.0" wide, 6.0" deep

Fiber: Single mode model available by special order



Solid State Instruments
6230 Aviation Circle
Loveland, CO 80538

(970) 461-9600 • (888) 272-9336
FAX (970) 461-9605
email: info@solidstateinstruments.com
www.solidstateinstruments.com

a division of
Brayden Automation Corp.

Local Representative

