



SPECIALTY DEVICES

PPC-2 PORTABLE PULSE COUNTER

DESCRIPTION

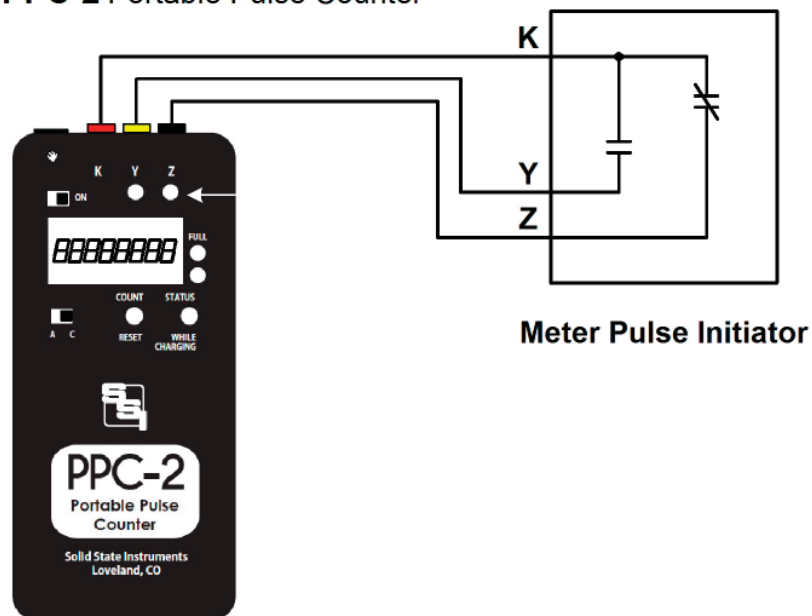
The PPC-2 Portable Pulse Counter is a low-cost field tool for testing a meter's KYZ pulse outputs. The PPC-2 supplies its own wetting (sense) voltage to both Y and Z sides of the meter's KYZ output. The remaining lead (K) is the common return. The PPC-2 counts the closures or "pulses" of the output. It can be configured as either a Form A (2-Wire) or a Form C (3-Wire) device to test one or both sides of the Form C output. The PPC-2 can be used with either electromechanical or solid-state meter outputs, or isolation relay outputs. It is powered by a rechargeable Lithium Ion battery with a working life of 40 hours. Full recharge time is approximately 5 hours.



Designed for the rigors of the field, the PPC-2 is packaged in a nearly indestructible polycarbonate enclosure. Provided are three banana jacks (K, Y, and Z) with standard Red, Yellow and Black input leads with probes for connecting to wires or terminals of the meter's KYZ output. Upon each transition of the KYZ switch, the counter will register a count and update the display. The 8-digit display allows a maximum count of 99,999,999 and can be manually reset by the field technician at any time. Thus, the PPC-2 can be used to ensure that the pulse output is operating correctly.

PPC-2

PPC-2 Portable Pulse Counter





SPECIALTY DEVICES

PPC-2 PORTABLE PULSE COUNTER

SPECIFICATIONS

ELECTRICAL

Power Input:	12VDC Auto Cigarette Lighter cord ore stationary wall transformer; Normal 5-hour full recharge time.
Sense Voltage:	6 VDC
Sense Current:	<10 mA

MECHANICAL

Mounting:	Any position
Size:	6.80" high x 3.40" wide x 1.25" deep
Weight:	Approx. 1lb

TEMPERATURE

Temperature Range:	-10° C to +50° C, 14° F to +122° F
Storage Temperature Range:	-20° C to 70° C, -4° F to 158° F

PPC-2