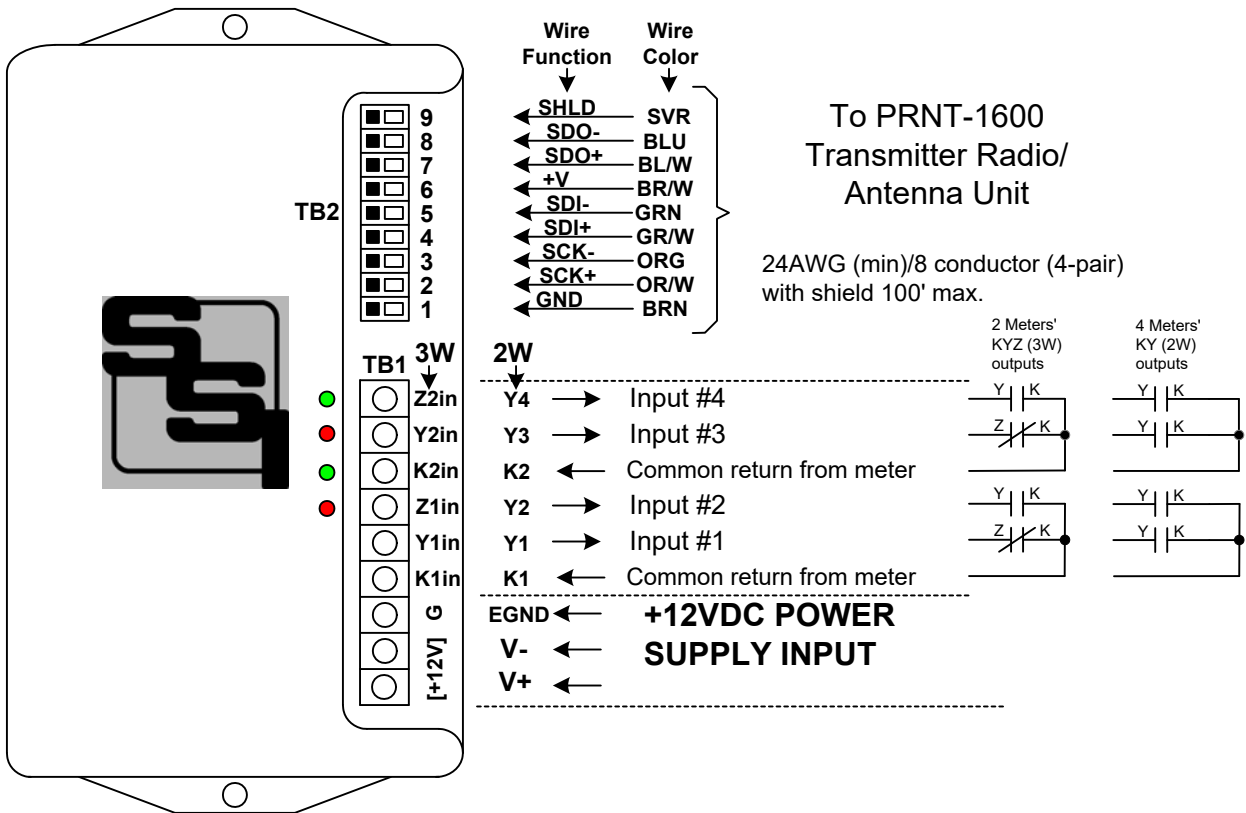


INSTRUCTION SHEET

PRT-16CS PULSE TRANSMITTER BASE



MOUNTING POSITION - The PRT-16CS Base unit may be mounted in any position.

ENCLOSURE - The PRT-16CS base unit is housed in a polycarbonate base and cover and is designed to be mounted into another electrical enclosure suitable for the application. An optional NEMA 3R raintight enclosure is available.

POWER INPUT - For an External 12VDC source, connect the "+" lead to the L1 power supply terminal. Connect the negative "-" lead to the NEU terminal. Connect the GND terminal to Ground. If the Power Supply negative "-" are both ground, they may be connected together. The Ground terminal MUST be connected to ground for noise immunity.

INPUT CONFIGURATION - The PRT-16CS accepts either 2 Form "C" (3-Wire) inputs using the K, Y & Z input terminals, or 4 Form "A" (2-Wire) inputs using the K & Y terminals. The PRNR-1600 PCB Assembly must be configured for the input type used. See Dip Switch Definitions and Settings.

METER CONNECTIONS - Form A (2W) mode: Connect the PRT-16CS' "K" and "Y1" input terminals to meter's "K" and "Y" terminals. The "Yx" input terminals are "pulled-up" to +13VDC power supply, making it compatible with open-collector transistor meter outputs, as well as all non-polarized mechanical or solid state pulse outputs. Form C (3W) mode: Connect the PRT-16CS' "K", the "Y1" and the "Z1" input terminals to the meter's "K", "Y" and "Z" terminals. The PRT-16CS' "K" terminal is the system common (return).

OUTPUT TO PRNT-1600 TRANSMITTER/ANTENNA UNIT - Connect the 8-conductor (4-pair) 24AWG(min) shielded control cable to the PRNT-1600 Transmitter/Antenna Unit. For best results, it is advisable to keep this length of this cable to the minimum practical distance.



SOLID STATE INSTRUMENTS

a division of Brayden Automation Corp.
 6230 Aviation Circle, Loveland, Colorado 80538
 Phone: (970)461-9600
 E-mail: support@brayden.com