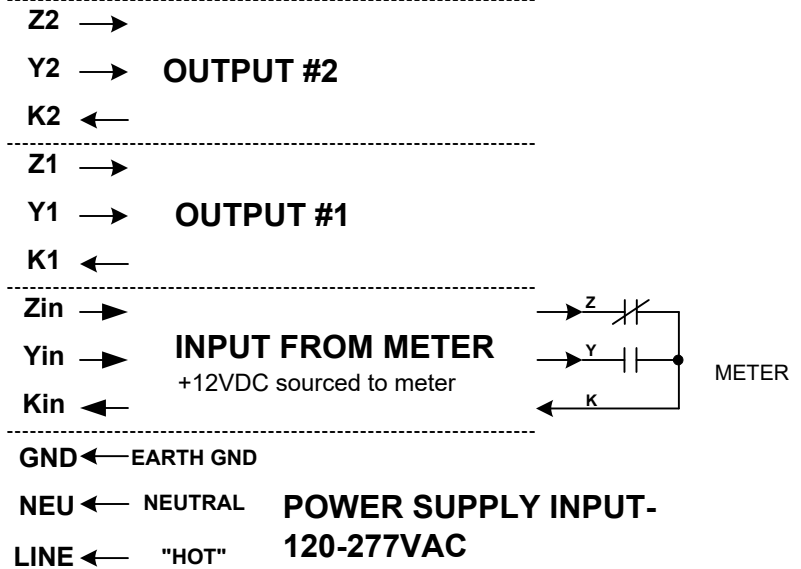
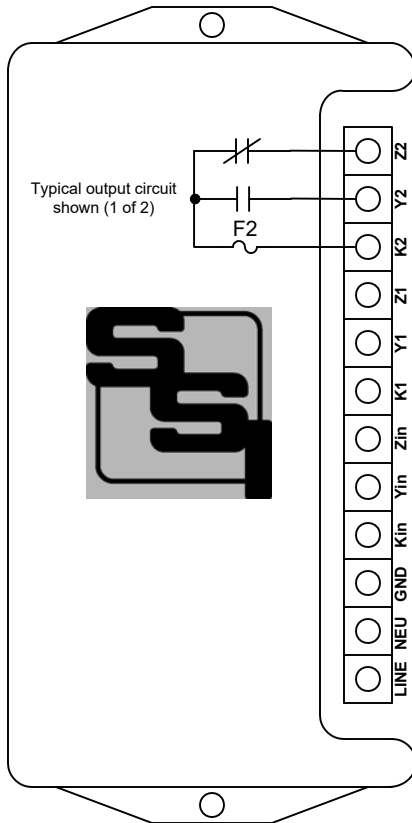


RPR-2PS

C Series

Elite Solid State

PULSE ISOLATION RELAY INSTRUCTION SHEET 120-277VAC INPUT



MOUNTING POSITION - The RPR-2PS contains solid state relays and can be mounted in any position.

POWER INPUT - The RPR-2PS is powered from an AC voltage source of between 90 and 300VAC. Connect the power supply's "hot" lead to the **LINE** terminal. Connect the power supply's neutral lead to the **NEU** terminal. Connect the **GND** terminal to electrical system ground. If Neutral does not exist at the meter connect both NEU and GND to the electrical system ground. NOTE: Connect Phase to Neutral only. DO NOT CONNECT Phase-to-phase.

METER CONNECTIONS - Connect the RPR-2PS' "Kin", "Yin" and "Zin" input terminals to the meter's "K", "Y" and "Z" terminals: "Kin" to "K", "Yin" to "Y", and "Zin" to "Z". The RPR-2PS' "Kin" terminal is the common return and system ground. The "Yin" and "Zin" terminals are pulled-up to +12VDC, which provides the wetting voltage to the pulse initiator.

FUSES - The fuses are type 3AG and may be up to 1/2 Amp in size. 1/2 Amp fuses are supplied standard with the unit unless otherwise specified.

OUTPUTS - Two solid state three-wire isolated dry-contact outputs are provided on the RPR-2PS. Transient voltage suppression for the solid state switching devices is provided internally.



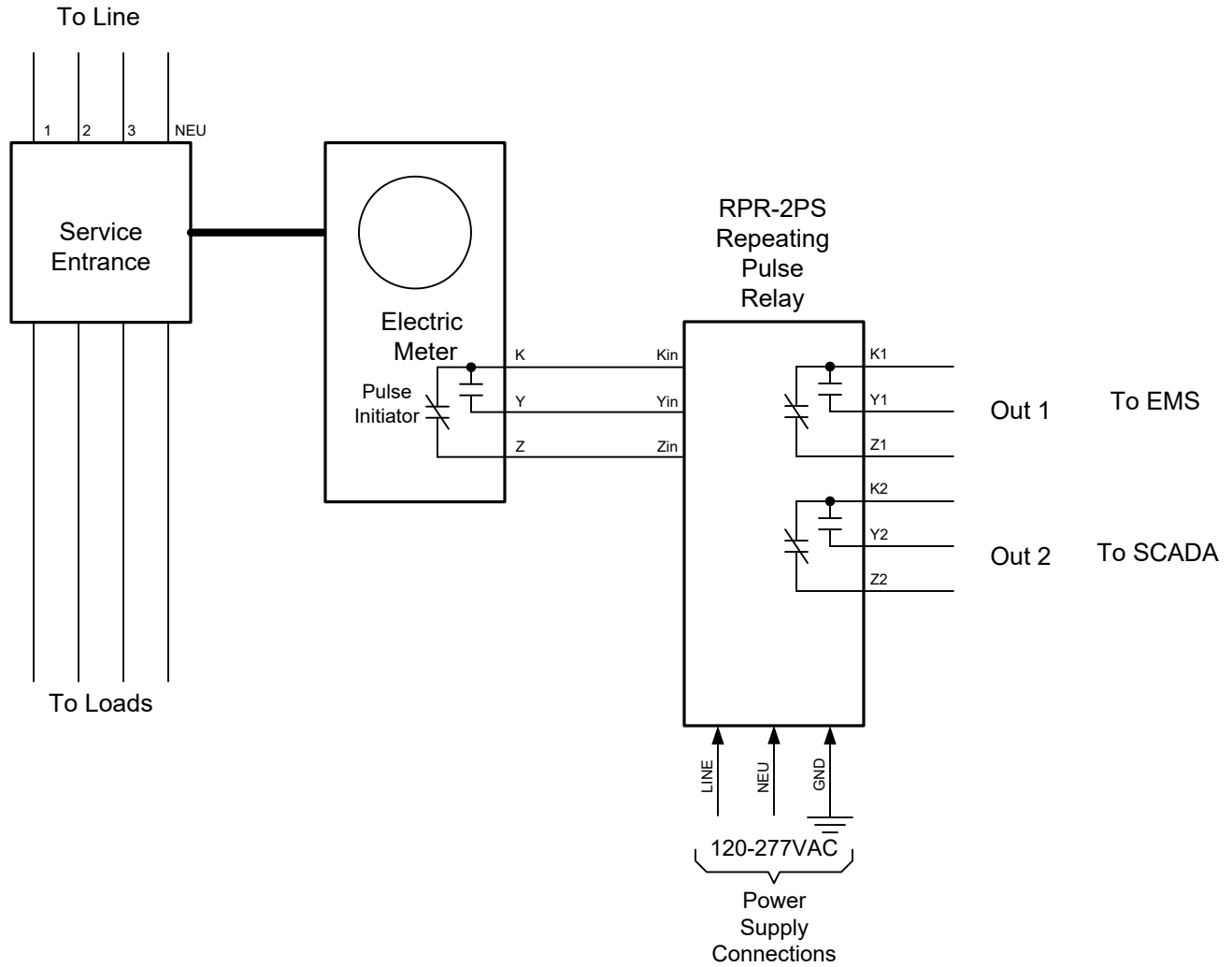
SOLID STATE INSTRUMENTS

a division of Brayden Automation Corp.
6230 Aviation Circle, Loveland Colorado 80538

Phone: (970)461-9600

E-mail: support@solidstateinstruments.com

RPR-2PS C-Series Wiring Diagram



<p>RPR-2PS C-Series Repeating Pulse Relay Wiring Diagram</p>		<p>REVISIONS</p>	
		NO.	DATE
DATE ORIGINAL	SCALE		
01/22/2024	N/A		
LATEST REVISION	JOB NO.	CHECKED	DRAWN
			WHB

Brayden Automation Corp./ Solid State Instruments div.
 6230 Aviation Circle
 Loveland, CO 80538
 (970)461-9600
 support@brayden.com
 www.solidstateinstruments.com